

STANDARD CAPACITANCE TVS ARRAY

APPLICATIONS

- ✓ Notebook Computers
- ✓ Cellular Phone Base Stations
- ✓ Personal Digital Assistant (PDA)
- ✓ Digital Cameras

IEC COMPATIBILITY (EN61000-4)

- ✓ 61000-4-2 (ESD): Air - 15kV, Contact - 8kV
- ✓ 61000-4-4 (EFT): 40A - 5/50ns

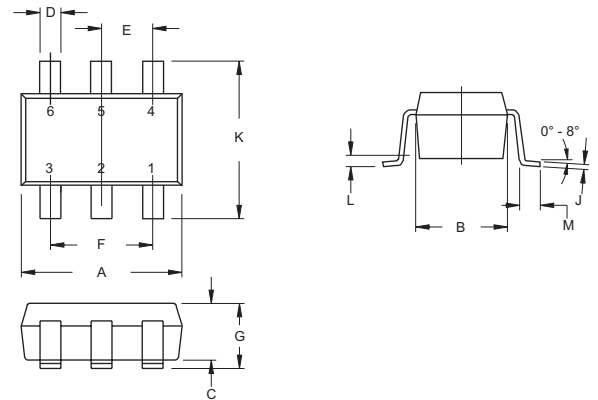
FEATURES

- ✓ 100 Watts Peak Pulse Power per Line (tp=8/20µs)
- ✓ Monolithic Design
- ✓ Available in Multiple Voltage Types Ranging From 5V to 24V
- ✓ Protect 4 Lines Bidirectional and 5 Lines Unidirectional
- ✓ ESD Protection > 25 kilovolts
- ✓ Low Clamping Voltage
- ✓ RoHS Compliant in Lead-Free Versions

SOT-363

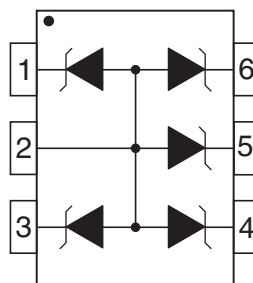


PACKAGE OUTLINE



DIM	PACKAGE DIMENSIONS			
	MILLIMETERS		INCHES	
	MIN	MAX	MIN	MAX
A	1.90	2.15	0.074	0.084
B	1.15	1.35	0.045	0.055
C	0.80	1.00	0.031	0.040
D	0.15	0.30	0.006	0.012
E	0.65 BSC	-	0.0255 BSC	-
F	1.30 BSC	-	0.0512 BSC	-
G	0.80	1.10	0.031	0.043
J	0.08	0.25	0.003	0.010
K	2.00	2.20	0.078	0.086
L	0	0.10	0	0.004
M	0.26	0.46	0.010	0.018

PIN CONFIGURATIONS





DEVICE CHARACTERISTICS

MAXIMUM RATINGS @ 25°C Unless Otherwise Specified			
PARAMETER	SYMBOL	VALUE	UNITS
Peak Pulse Power ($t_p = 8/20\mu s$) - See Figure 1	P_{PP}	100	Watts
Operating Temperature	T_J	-55°C to 150°C	°C
Storage Temperature	T_{STG}	-55°C to 150°C	°C

ELECTRICAL CHARACTERISTICS PER LINE @ 25°C Unless Otherwise Specified						
PART NUMBER	RATED STAND-OFF VOLTAGE	MINIMUM BREAKDOWN VOLTAGE	MAXIMUM CLAMPING VOLTAGE (See Fig. 2)	MAXIMUM CLAMPING VOLTAGE (See Fig. 2)	MAXIMUM LEAKAGE CURRENT	TYPICAL CAPACITANCE (See Note 1)
	V_{WM} VOLTS	@ 1mA $V_{(BR)}$ VOLTS	@ $I_p = 5A$ V_C VOLTS	@ 8/20 μs $V_C @ I_{PP}$	@ V_{WM} I_D μA	@ 0V, 1 MHz C_J pF
SMF05CT	5.0	6.0	9.8	12.0V @ 9.0A	5	60
SMF12CT	12.0	13.3	-	23.8V @ 4.2A	1	30
SMF15CT	15.0	16.7	-	33.3V @ 3.0A	1	25
SMF24CT	24.0	26.7	-	55.5V @ 1.8A	1	20

Note 1: Pins 1, 3, 4, 5 or 6 to pin 2.

FIGURE 1
PEAK PULSE POWER VS PULSE TIME

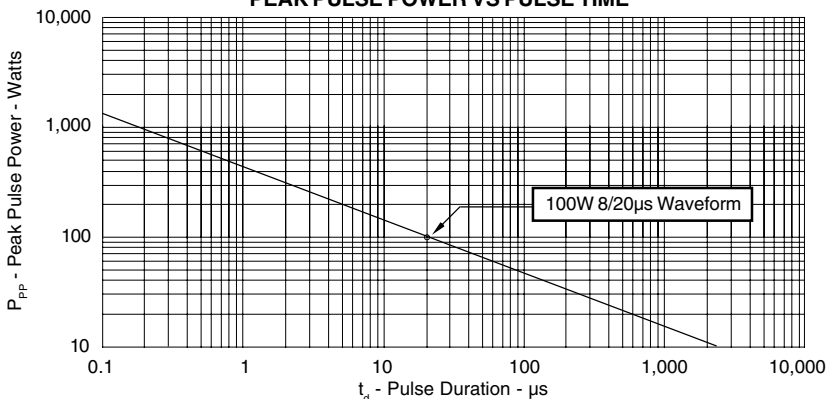
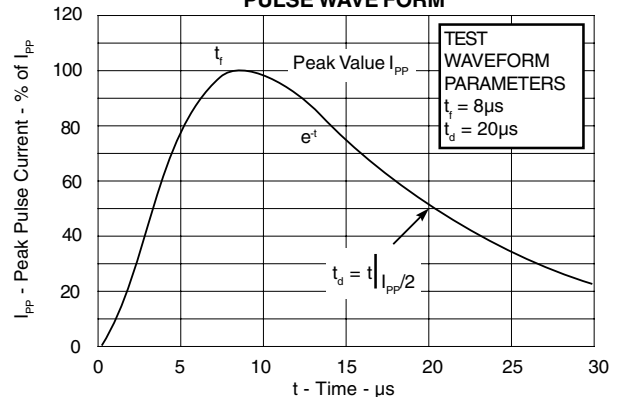


FIGURE 2
PULSE WAVE FORM



GRAPHS

