

12-bit high-resolution high-speed 3.3V-5.25V operating voltage 200-500KSPS analog-to-digital converter (ADC)

Description

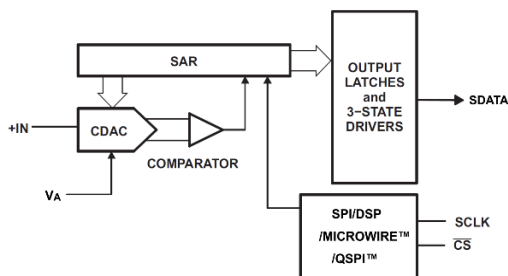
SL121S021 is a 12-bit ADC (Analog-to-Digital Converter) chip with the basic characteristics of high resolution, low power consumption, small size and unipolarity. The performance parameters of SL121S021 cover a wide sampling range of 50KSPS to 200KSPS, and are not only valid at a specific sampling rate. The converter is based on a successive approximation register architecture with an internal sample-and-hold circuit. SL121S021 is powered by a single power supply of 3.3 V to 5.25 V and has a power saving mode. The SL121S021 is available in a 6-pin SOT-23 package and operates over the -40°C to 85°C temperature range.

Features

- Sampling rate: 50 – 200 KSPS
- 12-bit resolution
- Supply voltage range: 3.3V to 5.25V
- Low power consumption (typical)
2.35mW (5V , 200 KSPS) 1.20mW (3.3V , 200KSPS)
- Maximum error $\pm 1\text{LSB INL}$, $\pm 1\text{LSB DNL}$
- 0—VA uni-polar single channel input
- SPI, QSPI™, MICROWIRE™, DSP serial interface
- 6 pin SOT-23 package

Application

- Portable systems
- Remote data collection
- Instrumentation and control systems
- Optical sensors
- Battery powered system



Schematic



Packaging effect diagram

Pin-compatible resolution and speed alternative

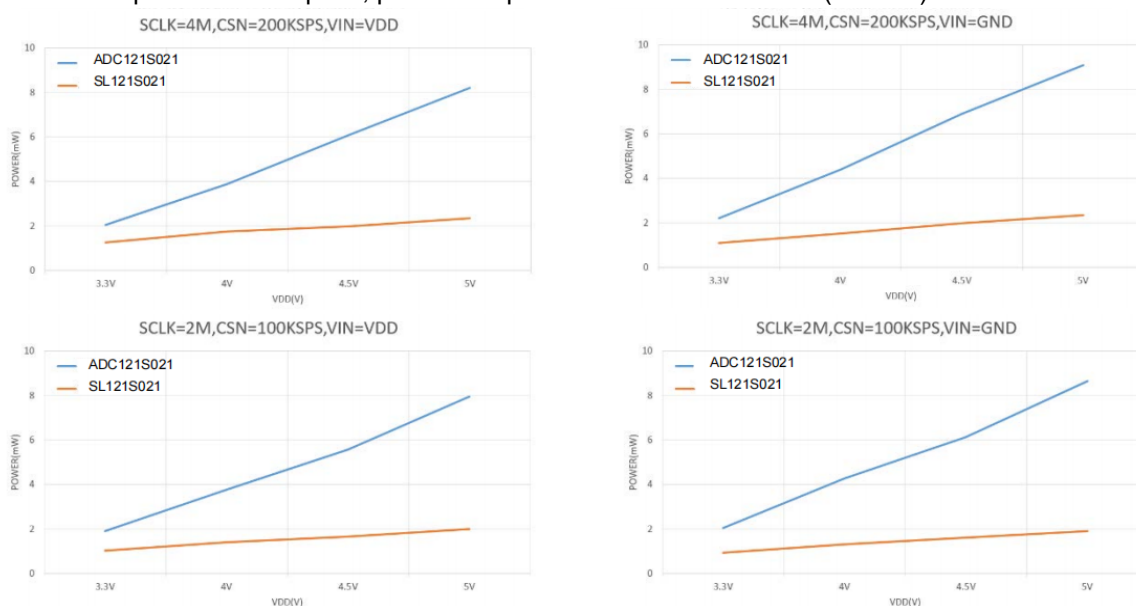
Resolution	Specify the sampling rate range			
	50 to 200 KSPS	200 to 500 KSPS	500 to 800 KSPS	800 to 1000 KSPS
12-bit	SL121S021	SL121S051	SL121S101	SL121S101E
10-bit	SL101S021	SL101S051	SL101S101	SL101S101E
8-bit	SL081S021	SL081S051	SL081S101	SL081S101E

1. Main technical parameters

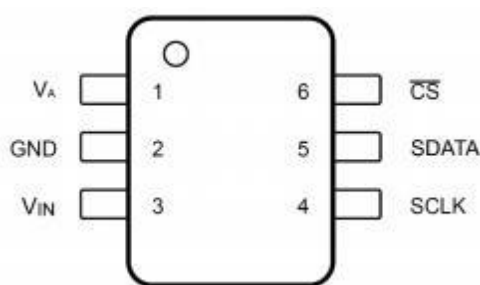
3.3 V - 5.25 V single power supply
 12-bit resolution, no missing codes
 Differential non linearity error(DNL): ± 1 LSB
 Integral non linearity error(INL): ± 1 LSB
 Signal-to-noise ratio distortion(SNR): 72.5dB @100 KHz
 Total harmonic distortion(THD): -83.5dB @100 KHz

Sampling rate 200 - 500 KSPS
 SPI/ QSPI™/MICROWIRE™/DSP serial interface
 No pipeline cycle delay
 Power saving mode
 Unipolar single channel input, 0 V to V_A range
 6 Pin SOT-23 package

Ultra-low power consumption, power comparison with ADC121S021 (T=25°C):



2. Pin configuration

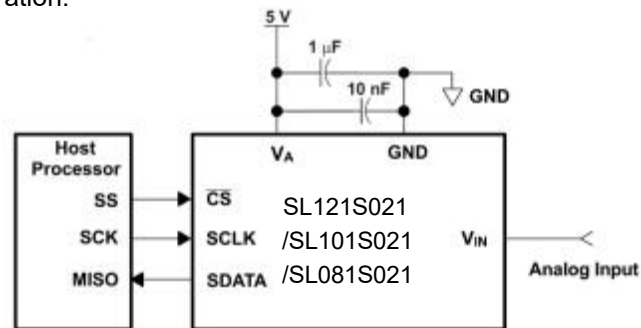


Pin diagram

Pin		Description
Name	Serial number	
V_A	1	The power input is also similar to the reference voltage of the ADC.
GND	2	Analog input signal ground. All analog and digital signals are referenced to this pin.
V_{IN}	3	Analog signal input. Signal range is 0 V to V_A .
SCLK	4	Serial clock input. This clock directly controls the conversion and readout process.
SDATA	5	Serial data output.
CS	6	Chip select signal, low level is valid.

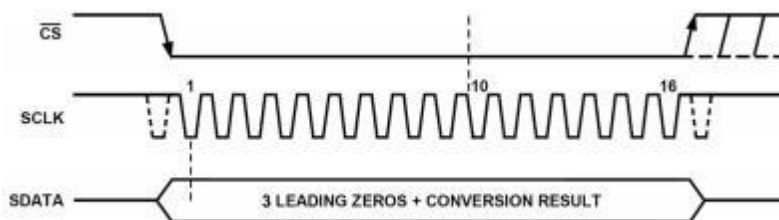
3. Typical connection

See the figure below for a typical connection circuit for the SL121S021. The power supply should come from a stable power supply device such as an LDO. The 1 μ F and 10nF coupling capacitors should be placed as close to the SL121S021 pins as possible. Always set the VA supply to be greater than or equal to the maximum V_{IN} input signal to avoid maximum conversion code saturation.



Circuit connection diagram

4. Timing diagram



When the CS pin of SL121S021 is low and the serial clock SCLK signal is provided, SL121S021 can start a conversion cycle, as shown in the figure. The device outputs data during the conversion process, and the data is in MSB format. After 3 leading zeros, 12 bits of converted data are output. At the 16th falling edge of SCLK, SDATA enters the tri-state and the conversion cycle ends.

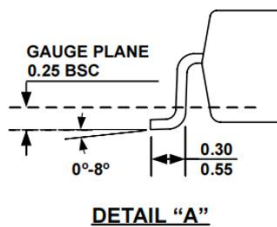
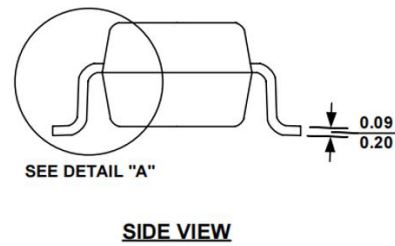
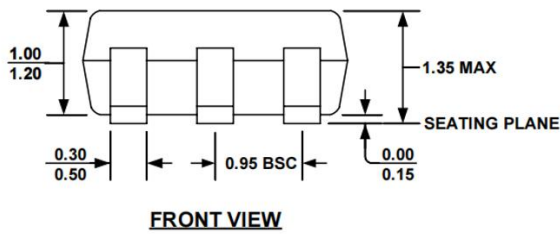
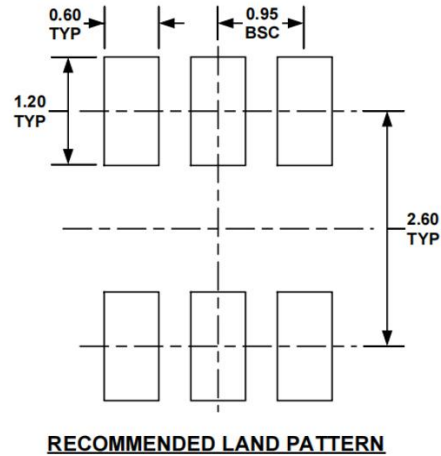
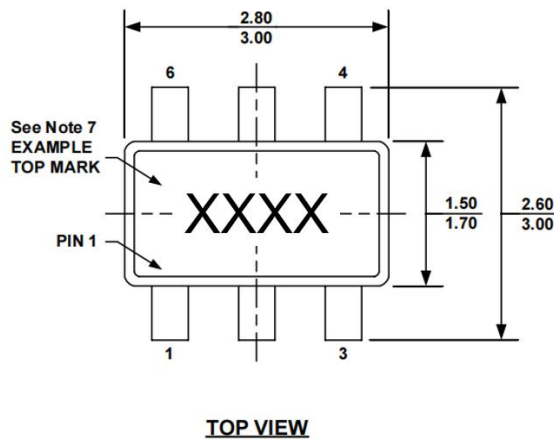
CS is pulled high after 16 clock SCLKs until the time 1 μ S after SDATA enters the tri-state ends. Pulling CS low again can start the next conversion.

5. Power saving mode

The SL12/10/081S021 series has an automatic power-down function. After shutting down all circuits, the converter usually consumes only a small current in this mode. When the CS falling edge appears, the device automatically wakes up. However, all functional blocks are fully enabled only when the third falling edge of SCLK appears. After the 16th falling edge of SCLK of SL121S021, the device detects the end of conversion and the device automatically powers down again. If CS is pulled high before 10 SCLKs, SL121S021 will terminate the ongoing data conversion process, the converter will be forced into power-down mode, and there will be no valid data in the next conversion.

The higher the SCLK frequency, the lower the power consumption of the converter at a fixed throughput rate, because the conversion time is shorter in a fixed period of time, that is, the converter is in automatic power-down mode more in each conversion cycle. For a specific SCLK frequency, the sampling time (CS falling edge to the third falling edge of SCLK) and conversion time (three leading zeros plus 12 SCLK cycles) are fixed, so lower throughput (i.e., longer total conversion cycle) increases the proportion of time that is powered off, thereby reducing power consumption.

6. Packaging diagram



NOTE:

- 1) ALL DIMENSIONS ARE IN MILLIMETERS.
- 2) PACKAGE LENGTH DOES NOT INCLUDE MOLD FLASH, PROTRUSION OR GATE BURR.
- 3) PACKAGE WIDTH DOES NOT INCLUDE INTERLEAD FLASH OR PROTRUSION.
- 4) LEAD COPLANARITY (BOTTOM OF LEADS AFTER FORMING) SHALL BE 0.10 MILLIMETERS MAX.
- 5) DRAWING CONFORMS TO JEDEC MO-178, VARIATION AB.
- 6) DRAWING IS NOT TO SCALE.
- 7) PIN 1 IS LOWER LEFT PIN WHEN READING TOP MARK FROM LEFT TO RIGHT, (SEE EXAMPLE TOP MARK)

7. Precautions

1. Unpacked ICs and tube-packed ICs must be stored in a dry cabinet with a humidity of <20% R.H.
2. Components must be stored in anti-static packaging bags after storage and access.
3. Anti-static damage: The device is an electrostatic sensitive device. Adequate anti-static measures should be taken during transmission, assembly, and testing.
4. Users should conduct an appearance inspection before use. The bottom, sides, and surroundings of the circuit must be bright before welding. If oxidation occurs, the circuit can be treated by deoxidation means. After the treatment, the circuit must be welded within 12 hours.